

Bilge Water Separator

**smaller &
better**



CPS 3.2E + EBM 14x1

PAT NO.: P200403051, 05380072.8, 2005-238.660, 2005203746

New State-of-the-Art design.
Smaller volume: 0.53 m³ (18.7 cu.ft.).
Smaller working weight: 412 Kgs.
More treatment capacity: 17.28 m³/day
(4,565 usg/day).
Doesn't use absorbents.
Better price.
IMO MEPC 107(49) APPROVED.

Through continuous research and development programs and designs based on easy maintenance and maximum efficiency, Facet International has developed the new CPS 3.2E + EBM 14x1. **This model combines the classic Coalescing Plates FACET Mpak[®] technology with innovative membranes that accomplish high efficiency in chemical and mechanical emulsion breaking, being ahead of Facet's competitors in complying with the regulations in force on the treatment subject: IMO MEPC.107(49).**

The equipment developed are compact, adaptable to the available space onboard, light weight and allow easy maintenance. The functioning is very easy and completely automatic, with all its functions controlled through a PLC.

MAIN FEATURES

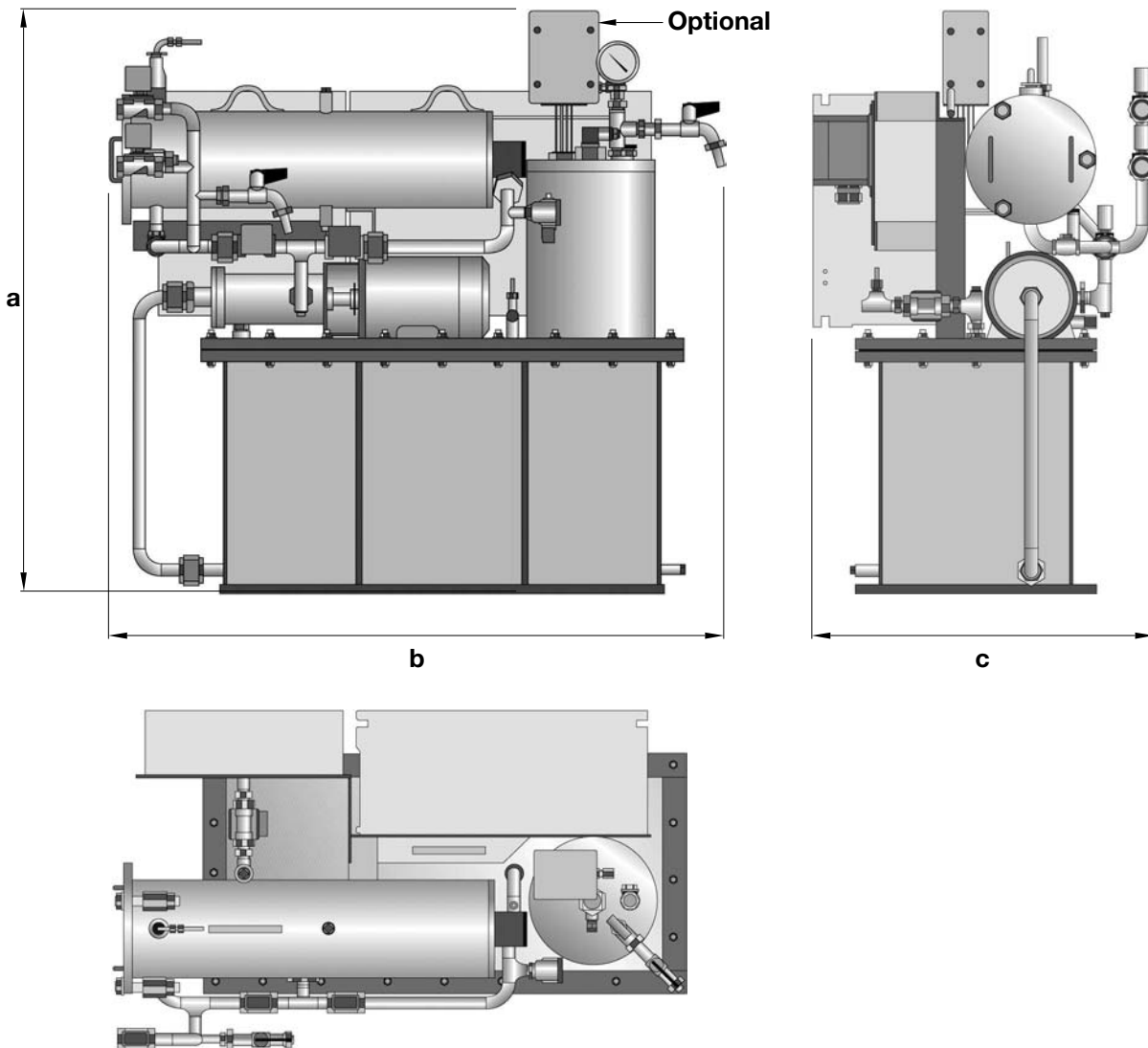
- The CPS 3.2E + EBM 14x1 is approved for a flow rate of 0.73 m³/h (3.2 usgpm).
- This Bilge Water Separator is supplied ready to install, coming complete with pump, valves and control panel.
- With the exception of the pump and solenoid valves this Bilge Water Separator has no mobile components. The level control is fixed and has no float.
- Maintenance requirements are very low, being restricted to occasional hosing down of the plate packs, and disposable membrane replacement. Access for cleaning is extremely simple and easy to carry out.
- Separated hydrocarbon does normally contain less than 5% of water and this can be burned, if required.
- Oil discharge is facilitated by connection to the ship's pressurized clear water system.
- The electrical power is at 380/440 v, 50 or 60 Hz.

CERTIFICATION AND OPERATIONAL EXPERIENCE

Facet International CPS 3.2E + EBM 14x1 has been tested, approved and certified according to the requirements of IMO MEPC.107(49). Facet International's experience assures cost efficiency and working reliability.

RESULTS

CPS 3.2E+ EBM 14x1 unit removes hydrocarbons in two stages. In the first stage, free hydrocarbon is separated from water through FACET patented coalescent plate packs, in the second stage emulsions are broken by a membrane which removes emulsified hydrocarbon, reaching down an effluent with total hydrocarbon content of less than 15 ppm.

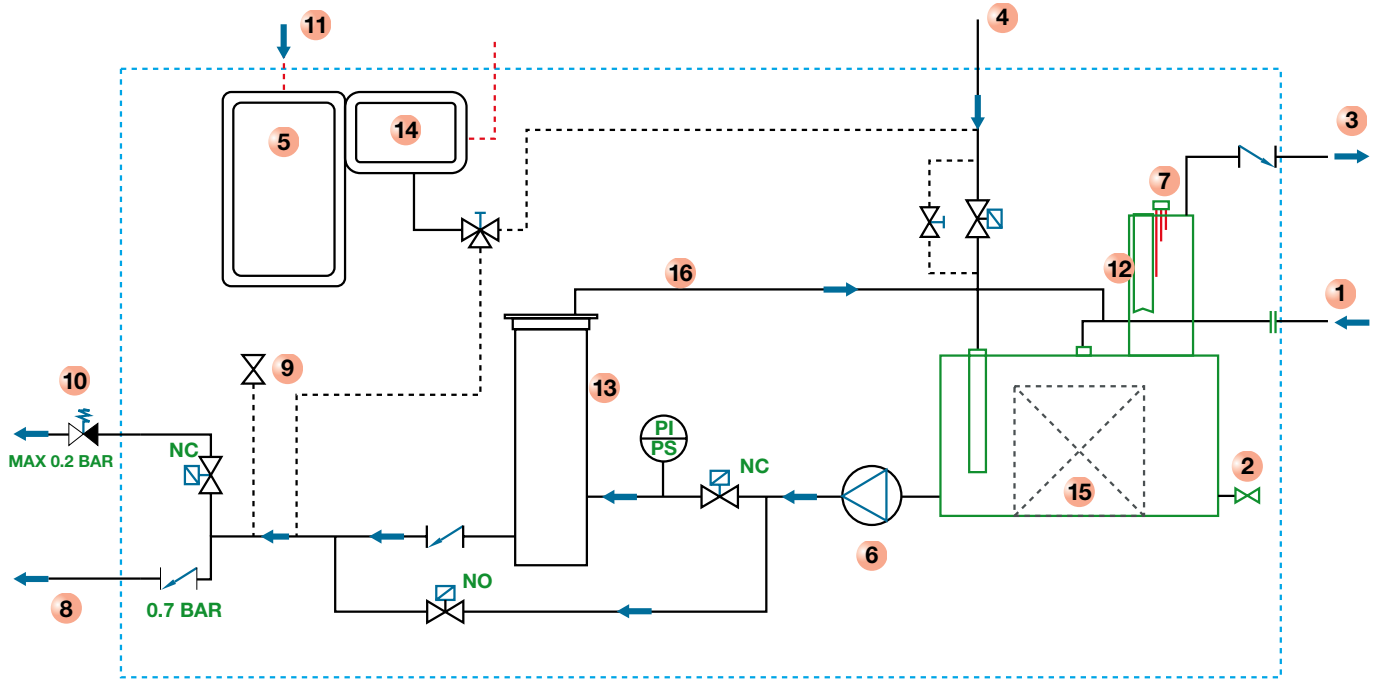


MODEL	a		b		c		VOLUME		WEIGHT		WORKING WEIGHT	
	in.	mm.	in.	mm.	in.	mm.	m ³	cu.ft.	kgs.	lbs.	kgs.	lbs.
CPS 3.2E + EBM 14x1	39.5	1003	38.5	980	22.25	565	0.53	18.7	286	631	412	908

ACCESSORIES

The equipment is supplied with the following accessories:

- Bilge alarm: as latest IMO MEPC. 107(49) resolution.
- Electric heater in the oil dome to facilitate oil discharge (optional).



ITEM	DESCRIPTION
1.	OILY WATER INLET LINE FROM BILGE
2.	DRAIN
3.	OIL OUTLET
4.	CLEAN WATER INLET
5.	CONTROL PANEL
6.	PUMP
7.	LEVEL CONTROL
8.	BACK TO BILGE LINE
9.	SAMPLE POINT
10.	OVERBOARD WATER OUTLET LINE
11.	ELECTRICAL LINE (CUSTOMER SUPPLY)
12.	HEATER (OPTIONAL)
13.	EBM 14X SEPARATOR MODULE
14.	PPM ALARM & SENSOR
15.	FACET Mpak®
16.	AIR LINE (CUSTOMER SUPPLY)

— FLOW
 - - - INTERCONNECTING CABLES
 — AIR
 - - - LIMIT OF SUPPLY